



SECTION A. Table of Contents

Section A. Facility/Source Identification

Table of Contents
Site Inventory List

Section B. General State Only Requirements

- #001 Definitions.
- #002 Operating Permit Duration.
- #003 Permit Renewal.
- #004 Operating Permit Fees under Subchapter I.
- #005 Transfer of Operating Permits.
- #006 Inspection and Entry.
- #007 Compliance Requirements.
- #008 Need to Halt or Reduce Activity Not a Defense.
- #009 Duty to Provide Information.
- #010 Revising an Operating Permit for Cause.
- #011 Operating Permit Modifications
- #012 Severability Clause.
- #013 De Minimis Emission Increases.
- #014 Operational Flexibility.
- #015 Reactivation
- #016 Health Risk-based Emission Standards and Operating Practice Requirements.
- #017 Circumvention.
- #018 Reporting Requirements.
- #019 Sampling, Testing and Monitoring Procedures.
- #020 Recordkeeping.
- #021 Property Rights.
- #022 Alternative Operating Scenarios.

Section C. Site Level State Only Requirements

- C-I: Restrictions
- C-II: Testing Requirements
- C-III: Monitoring Requirements
- C-IV: Recordkeeping Requirements
- C-V: Reporting Requirements
- C-VI: Work Practice Standards
- C-VII: Additional Requirements
- C-VIII: Compliance Certification
- C-IX: Compliance Schedule

Section D. Source Level State Only Requirements

- D-I: Restrictions
- D-II: Testing Requirements
- D-III: Monitoring Requirements
- D-IV: Recordkeeping Requirements
- D-V: Reporting Requirements
- D-VI: Work Practice Standards
- D-VII: Additional Requirements

Note: These same sub-sections are repeated for each source!

Section E. Source Group Restrictions

- E-I: Restrictions
- E-II: Testing Requirements
- E-III: Monitoring Requirements

SECTION A. Table of Contents

- E-IV: Recordkeeping Requirements
- E-V: Reporting Requirements
- E-VI: Work Practice Standards
- E-VII: Additional Requirements

Section F. Alternative Operating Scenario(s)

- F-I: Restrictions
- F-II: Testing Requirements
- F-III: Monitoring Requirements
- F-IV: Recordkeeping Requirements
- F-V: Reporting Requirements
- F-VI: Work Practice Standards
- F-VII: Additional Requirements

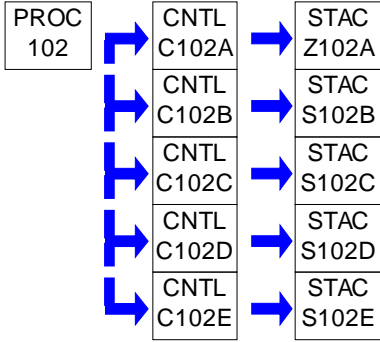
Section G. Emission Restriction Summary

Section H. Miscellaneous

**SECTION A. Site Inventory List**

Source ID	Source Name	Capacity/Throughput	Fuel/Material
100	BLACKTOP PLANT	135.000 MMBTU/HR	
		400.000 Tons/HR	ASPHALT
		135.000 MCF/HR	Natural Gas
		985.000 Gal/HR	#2 Oil
101	REXNORD CONCRETE PLANT	300.000 Cu Yd/HR	CONCRETE
102	LIMESTONE CRUSHING PLNT	1,200.000 Tons/HR	LIMESTONE
103	REXCON CONCRETE PLANT	300.000 Cu Yd/HR	CONCRETE
C100A	FABRIC COLLECTOR		
C100B	WET SUPPRESSION		
C101	DUSTEX BAGHOUSE		
C102A	WET SUPPRESSION		
C102B	BAGHOUSE 1 - AEROPULSE		
C102C	BAGHOUSE 2 - C.P. ENVIRONMENTAL		
C102D	BAGHOUSE 3 - AEROPULSE		
C102E	BAGHOUSE 4 - PULSE KING		
C103	REXCON BAGHOUSE		
FM001	NATURAL GAS FUEL		
FM002	NO. 2 OIL FUEL		
S100	STACK SOURCE ID 100		
S101	DUSTEX BAGHOUSE STACK		
S102B	BAGHOUSE 1 STACK		
S102C	BAGHOUSE 2 STACK		
S102D	BAGHOUSE 3 STACK		
S102E	BAGHOUSE 4 STACK		
S103	REXCON BAGHOUSE STACK		
Z102A	FUGITIVE EMISSIONS		

PERMIT MAPS

PERMIT MAPS

**SECTION B. General State Only Requirements****#001 [25 Pa. Code § 121.1]****Definitions.**

Words and terms that are not otherwise defined in this permit shall have the meanings set forth in Section 3 of the Air Pollution Control Act (35 P.S. § 4003) and in 25 Pa. Code § 121.1.

#002 [25 Pa. Code § 127.446]**Operating Permit Duration.**

- (a) This operating permit is issued for a fixed term of five (5) years and shall expire on the date specified on Page 1 of this permit.
- (b) The terms and conditions of the expired permit shall automatically continue pending issuance of a new operating permit, provided the permittee has submitted a timely and complete application and paid applicable fees required under 25 Pa. Code Chapter 127, Subchapter I and the Department is unable, through no fault of the permittee, to issue or deny a new permit before the expiration of the previous permit.

#003 [25 Pa. Code §§ 127.412, 127.413, 127.414, 127.446 & 127.703(b)&(c)]**Permit Renewal.**

- (a) The permittee shall submit a timely and complete application for renewal of the operating permit to the appropriate Regional Air Program Manager. The application for renewal of the operating permit shall be submitted at least six (6) months and not more than 18 months before the expiration date of this permit.
- (b) The application for permit renewal shall include the current permit number, a description of any permit revisions that occurred during the permit term, and any applicable requirements that were promulgated and not incorporated into the permit during the permit term. An application is complete if it contains sufficient information to begin processing the application, has the applicable sections completed and has been signed by a responsible official.
- (c) The permittee shall submit with the renewal application a fee for the processing of the application and an additional annual administrative fee as specified in 25 Pa. Code § 127.703(b) and (c). The fees shall be made payable to "The Commonwealth of Pennsylvania - Clean Air Fund" and shall be for the amount specified in the following schedule specified in 25 Pa. Code § 127.703(b) and (c).
- (1) Three hundred dollars for applications filed during the 2000-2004 calendar years.
 - (2) Three hundred seventy-five dollars for applications filed for the calendar years beginning in 2005.
- (d) The renewal application shall also include submission of proof that the local municipality and county, in which the facility is located, have been notified in accordance with 25 Pa. Code § 127.413.
- (e) The application for renewal of the operating permit shall also include submission of supplemental compliance review forms in accordance with the requirements of 25 Pa. Code § 127.412(b) and § 127.412(j).
- (f) The permittee, upon becoming aware that any relevant facts were omitted or incorrect information was submitted in the permit application, shall promptly submit such supplementary facts or corrected information as necessary to address any requirements that become applicable to the source after the permittee submits a complete application, but prior to the date the Department takes action on the permit application.

#004 [25 Pa. Code § 127.703]**Operating Permit Fees under Subchapter I.**

- (a) The permittee shall pay fees according to the following schedule specified in 25 Pa. Code § 127.703(b):
- (1) Three hundred dollars for applications filed during the 2000-2004 calendar years.
 - (2) Three hundred seventy-five dollars for applications filed for the calendar years beginning in 2005.

This fee schedule shall apply to the processing of an application for an operating permit as well as the extension,

SECTION B. General State Only Requirements

modification, revision, renewal, and re-issuance of each operating permit or part thereof.

(b) The permittee shall pay an annual operating permit administrative fee according to the fee schedule established in 25 Pa. Code § 127.703(c).

(1) Two hundred fifty dollars for applications filed during the 1995-1999 calendar years.

(2) Three hundred dollars for applications filed during the 2000-2004 calendar years.

(3) Three hundred seventy-five dollars for applications filed during the years beginning in 2005.

(c) The applicable fees shall be made payable to "The Commonwealth of Pennsylvania - Clean Air Fund".

#005 [25 Pa. Code §§ 127.450 (a)(4) and 127.464]**Transfer of Operating Permits.**

(a) This operating permit may not be transferred to another person, except in cases of transfer-of-ownership that are documented and approved by the Department.

(b) In accordance with 25 Pa. Code § 127.450(a)(4), a change in ownership of the source shall be treated as an administrative amendment if the Department determines that no other change in the permit is required and a written agreement has been submitted to the Department identifying the specific date of the transfer of permit responsibility, coverage and liability between the current and the new permittee and a compliance review form has been submitted to, and the permit transfer has been approved by, the Department.

(c) This operating permit is valid only for those specific sources and the specific source locations described in this permit.

#006 [25 Pa. Code § 127.441 and 35 P.S. § 4008]**Inspection and Entry.**

(a) Upon presentation of credentials and other documents as may be required by law, the permittee shall allow the Department or authorized representatives of the Department to perform the following:

(1) Enter at reasonable times upon the permittee's premises where a source is located or emissions related activity is conducted, or where records are kept under the conditions of this permit;

(2) Have access to and copy, at reasonable times, any records that are kept under the conditions of this permit;

(3) Inspect at reasonable times, any facilities, equipment including monitoring and air pollution control equipment, practices, or operations regulated or required under this permit;

(4) Sample or monitor, at reasonable times, any substances or parameters, for the purpose of assuring compliance with the permit or applicable requirements as authorized by the Clean Air Act, the Air Pollution Control Act, or the regulations promulgated under the Acts.

(b) Pursuant to 35 P.S. § 4008, no person shall hinder, obstruct, prevent or interfere with the Department or its personnel in the performance of any duty authorized under the Air Pollution Control Act or regulations adopted thereunder including denying the Department access to a source at this facility. Refusal of entry or access may constitute grounds for permit revocation and assessment of criminal and/or civil penalties.

(c) Nothing in this permit condition shall limit the ability of the EPA to inspect or enter the premises of the permittee in accordance with Section 114 or other applicable provisions of the Clean Air Act.

#007 [25 Pa. Code §§ 127.441 & 127.444]**Compliance Requirements.**

(a) The permittee shall comply with the conditions of this operating permit. Noncompliance with this permit constitutes

**SECTION B. General State Only Requirements**

a violation of the Clean Air Act and the Air Pollution Control Act and is grounds for one or more of the following:

- (1) Enforcement action
- (2) Permit termination, revocation and reissuance or modification
- (3) Denial of a permit renewal application

(b) A person may not cause or permit the operation of a source which is subject to 25 Pa. Code Article III unless the source(s) and air cleaning devices identified in the application for the plan approval and operating permit and the plan approval issued for the source is operated and maintained in accordance with specifications in the applications and the conditions in the plan approval and operating permit issued by the Department. A person may not cause or permit the operation of an air contamination source subject to 25 Pa. Code Chapter 127 in a manner inconsistent with good operating practices.

(c) For purposes of Sub-condition (b) of this permit condition, the specifications in applications for plan approvals and operating permits are the physical configurations and engineering design details which the Department determines are essential for the permittee's compliance with the applicable requirements in this State-Only permit. Nothing in this sub-condition shall be construed to create an independent affirmative duty upon the permittee to obtain a predetermination from the Department for physical configuration or engineering design detail changes made by the permittee.

#008 [25 Pa. Code § 127.441]**Need to Halt or Reduce Activity Not a Defense.**

It shall not be a defense for the permittee in an enforcement action that it was necessary to halt or reduce the permitted activity in order to maintain compliance with the conditions of this permit.

#009 [25 Pa. Code §§ 127.442(a) & 127.461]**Duty to Provide Information.**

(a) The permittee shall submit reports to the Department containing information the Department may prescribe relative to the operation and maintenance of each source at the facility.

(b) The permittee shall furnish to the Department, in writing, information that the Department may request to determine whether cause exists for modifying, revoking and reissuing, or terminating this permit, or to determine compliance with the permit. Upon request, the permittee shall also furnish to the Department copies of records that the permittee is required to maintain in accordance with this permit.

#010 [25 Pa. Code § 127.461]**Revising an Operating Permit for Cause.**

This operating permit may be terminated, modified, suspended or revoked and reissued if one or more of the following applies:

- (1) The permittee constructs or operates the source subject to the operating permit so that it is in violation of the Air Pollution Control Act, the Clean Air Act, the regulations thereunder, a plan approval, a permit or in a manner that causes air pollution.
- (2) The permittee fails to properly or adequately maintain or repair an air pollution control device or equipment attached to or otherwise made a part of the source.
- (3) The permittee has failed to submit a report required by the operating permit or an applicable regulation.
- (4) The EPA determines that the permit is not in compliance with the Clean Air Act or the regulations thereunder.

#011 [25 Pa. Code §§ 127.450 & 127.462]**Operating Permit Modifications**

(a) The permittee is authorized to make administrative amendments, minor operating permit modifications and

**SECTION B. General State Only Requirements**

significant operating permit modifications, under this permit, as outlined below:

(b) Administrative Amendments. The permittee shall make administrative operating permit amendments (as defined in 25 Pa. Code § 127.450(a)), according to procedures specified in § 127.450 unless precluded by the Clean Air Act or its regulations.

(c) Minor Operating Permit Modifications. The permittee shall make minor operating permit modifications (as defined 25 Pa. Code § 121.1) in accordance with 25 Pa. Code § 127.462.

(d) Permit modifications which do not qualify as minor permit modifications under 25 Pa. Code § 127.541 will be treated as a significant operating permit revision subject to the public notification procedures in §§ 127.424 and 127.425.

#012 [25 Pa. Code § 127.441]**Severability Clause.**

The provisions of this permit are severable, and if any provision of this permit is determined by a court of competent jurisdiction to be invalid or unenforceable, such a determination will not affect the remaining provisions of this permit.

#013 [25 Pa. Code § 127.449]**De Minimis Emission Increases.**

(a) This permit authorizes de minimis emission increases in accordance with 25 Pa. Code § 127.449 so long as the permittee provides the Department with seven (7) days prior written notice before commencing any de minimis emissions increase. The written notice shall:

(1) Identify and describe the pollutants that will be emitted as a result of the de minimis emissions increase.

(2) Provide emission rates expressed in tons per year and in terms necessary to establish compliance consistent with any applicable requirement.

(b) The Department may disapprove or condition de minimis emission increases at any time.

(c) Except as provided below in (d), the permittee is authorized to make de minimis emission increases (expressed in tons per year) up to the following amounts without the need for a plan approval or prior issuance of a permit modification:

(1) Four tons of carbon monoxide from a single source during the term of the permit and 20 tons of carbon monoxide at the facility during the term of the permit.

(2) One ton of NO_x from a single source during the term of the permit and 5 tons of NO_x at the facility during the term of the permit.

(3) One and six-tenths tons of the oxides of sulfur from a single source during the term of the permit and 8.0 tons of oxides of sulfur at the facility during the term of the permit.

(4) Six-tenths of a ton of PM₁₀ from a single source during the term of the permit and 3.0 tons of PM₁₀ at the facility during the term of the permit. This shall include emissions of a pollutant regulated under Section 112 of the Clean Air Act unless precluded by the Clean Air Act, the regulations thereunder or 25 Pa. Code Article III.

(5) One ton of VOCs from a single source during the term of the permit and 5.0 tons of VOCs at the facility during the term of the permit. This shall include emissions of a pollutant regulated under Section 112 of the Clean Air Act unless precluded by the Clean Air Act, the regulations thereunder or 25 Pa. Code Article III.

(6) Other sources and classes of sources determined to be of minor significance by the Department.

(d) In accordance with § 127.14, the permittee is authorized to install the following minor sources without the need for a plan approval or permit modification:

**SECTION B. General State Only Requirements**

(1) Air conditioning or ventilation systems not designed to remove pollutants generated or released from other sources.

(2) Combustion units rated at 2,500,000 or less Btu per hour of heat input.

(3) Combustion units with a rated capacity of less than 10,000,000 Btu per hour heat input fueled by natural gas supplied by a public utility or by commercial fuel oils which are No. 2 or lighter, viscosity less than or equal to 5.82 c St, and which meet the sulfur content requirements of 25 Pa. Code §123.22 (relating to combustion units). For purposes of this permit, commercial fuel oil shall be virgin oil which has no reprocessed, recycled or waste material added.

(4) Space heaters which heat by direct heat transfer.

(5) Laboratory equipment used exclusively for chemical or physical analysis.

(6) Other sources and classes of sources determined to be of minor significance by the Department.

(e) This permit does not authorize de minimis emission increases if the emissions increase would cause one or more of the following:

(1) Increase the emissions of a pollutant regulated under Section 112 of the Clean Air Act except as authorized in Subparagraphs (c)(4) and (5) of this permit condition.

(2) Subject the facility to the prevention of significant deterioration requirements in 25 Pa. Code Chapter 127, Subchapter D and/or the new source review requirements in Subchapter E.

(3) Violate any applicable requirement of this permit, the Air Pollution Control Act, the Clean Air Act, or the regulations promulgated under either of the acts.

(f) Emissions authorized under this permit condition shall be included in the monitoring, recordkeeping and reporting requirements of this permit.

(g) Except for de minimis emission increases, installation of minor sources made pursuant to this permit condition and Plan Approval Exemptions under 25 Pa. Code § 127.14 (relating to exemptions), the permittee is prohibited from making changes or engaging in activities that are not specifically authorized under this permit without first applying for a plan approval. In accordance with § 127.14(b), a plan approval is not required for the construction, modification, reactivation, or installation of the sources creating the de minimis emissions increase.

(h) The permittee may not meet de minimis emission threshold levels by offsetting emission increases or decreases at the same source.

#014 [25 Pa. Code § 127.3]**Operational Flexibility.**

The permittee is authorized to make changes within the facility in accordance with the regulatory provisions outlined in 25 Pa. Code § 127.3 (relating to operational flexibility) to implement the operational flexibility requirements provisions authorized under Section 6.1(i) of the Air Pollution Control Act and the operational flexibility terms and conditions of this permit. The provisions in 25 Pa. Code Chapter 127 which implement the operational flexibility requirements include the following:

(1) Section 127.14 (relating to exemptions)

(2) Section 127.447 (relating to alternative operating scenarios)

(3) Section 127.448 (relating to emissions trading at facilities with Federally enforceable emissions caps)

(4) Section 127.449 (relating to de minimis emission increases)

(5) Section 127.450 (relating to administrative operating permit amendments)

**SECTION B. General State Only Requirements**

(6) Section 127.462 (relating to minor operating permit modifications)

(7) Subchapter H (relating to general plan approvals and general operating permits)

#015 [25 Pa. Code § 127.11]**Reactivation**

(a) The permittee may not reactivate a source that has been out of operation or production for at least one year unless the reactivation is conducted in accordance with a plan approval granted by the Department or in accordance with reactivation and maintenance plans developed and approved by the Department in accordance with 25 Pa. Code § 127.11a(a).

(b) A source which has been out of operation or production for more than five (5) years but less than 10 years may be reactivated and will not be considered a new source if the permittee satisfies the conditions specified in 25 Pa. Code § 127.11a(b).

#016 [25 Pa. Code § 127.36]**Health Risk-based Emission Standards and Operating Practice Requirements.**

(a) When needed to protect public health, welfare and the environment from emissions of hazardous air pollutants from new and existing sources, the permittee shall comply with the health risk-based emission standards or operating practice requirements imposed by the Department, except as precluded by §§ 6.6(d)(2) and (3) of the Air Pollution Control Act [35 P.S. § 4006.6(d)(2) and (3)].

(b) A person challenging a performance or emission standard established by the Department has the burden to demonstrate that performance or emission standard does not meet the requirements of Section 112 of the Clean Air Act.

#017 [25 Pa. Code § 121.9]**Circumvention.**

No person may permit the use of a device, stack height which exceeds good engineering practice stack height, dispersion technique or other technique which, without resulting in reduction of the total amount of air contaminants emitted, conceals or dilutes an emission of air contaminants which would otherwise be in violation of 25 Pa. Code Article III, except that with prior approval of the Department, the device or technique may be used for control of malodors.

#018 [25 Pa. Code §§ 127.402(d) & 127.442]**Reporting Requirements.**

(a) The permittee shall comply with the applicable reporting requirements of the Clean Air Act, the regulations thereunder, the Air Pollution Control Act and 25 Pa. Code Article III including Chapters 127, 135 and 139.

(b) The permittee shall submit reports to the Department containing information the Department may prescribe relative to the operation and maintenance of any air contamination source.

(c) Reports, test data, monitoring data, notifications and requests for renewal of the permit shall be submitted to the:

Regional Air Program Manager
PA Department of Environmental Protection
(At the address given in the permit transmittal letter, or otherwise notified)

(d) Any records or information including applications, forms, or reports submitted pursuant to this permit condition shall contain a certification by a responsible official as to truth, accuracy and completeness. The certifications submitted under this permit shall require a responsible official of the facility to certify that based on information and belief formed after reasonable inquiry, the statements and information in the documents are true, accurate and complete.

(e) Any records, reports or information submitted to the Department shall be available to the public except for such

**SECTION B. General State Only Requirements**

records, reports or information which meet the confidentiality requirements of § 4013.2 of the Air Pollution Control Act and §§ 112(d) and 114(c) of the Clean Air Act. The permittee may not request a claim of confidentiality for any emissions data generated for the facility.

#019 [25 Pa. Code §§ 127.441(c) & 135.5]**Sampling, Testing and Monitoring Procedures.**

(a) The permittee shall comply with the monitoring, recordkeeping or reporting requirements of 25 Pa. Code Chapter 139 and the other applicable requirements of 25 Pa. Code Article III and additional requirements related to monitoring, reporting and recordkeeping required by the Clean Air Act and the regulations thereunder including the Compliance Assurance Monitoring requirements of 40 CFR Part 64, where applicable.

(b) Unless alternative methodology is required by the Clean Air Act and regulations adopted thereunder, sampling, testing and monitoring required by or used by the permittee to demonstrate compliance with any applicable regulation or permit condition shall be conducted in accordance with the requirements of 25 Pa. Code Chapter 139.

#020 [25 Pa. Code §§ 127.441(c) and 135.5]**Recordkeeping.**

(a) The permittee shall maintain and make available, upon request by the Department, the following records of monitored information:

- (1) The date, place (as defined in the permit) and time of sampling or measurements.
- (2) The dates the analyses were performed.
- (3) The company or entity that performed the analyses.
- (4) The analytical techniques or methods used.
- (5) The results of the analyses.
- (6) The operating conditions as existing at the time of sampling or measurement.

(b) The permittee shall retain records of any required monitoring data and supporting information for at least five (5) years from the date of the monitoring, sample, measurement, report or application. Supporting information includes the calibration data and maintenance records and original strip-chart recordings for continuous monitoring instrumentation, and copies of reports required by the permit.

(c) The permittee shall maintain and make available to the Department upon request, records including computerized records that may be necessary to comply with the reporting, recordkeeping and emission statement requirements in 25 Pa. Code Chapter 135 (relating to reporting of sources). In accordance with 25 Pa. Code Chapter 135, § 135.5, such records may include records of production, fuel usage, maintenance of production or pollution control equipment or other information determined by the Department to be necessary for identification and quantification of potential and actual air contaminant emissions.

#021 [25 Pa. Code § 127.441(a)]**Property Rights.**

This permit does not convey any property rights of any sort, or any exclusive privileges.

#022 [25 Pa. Code § 127.447]**Alternative Operating Scenarios.**

The permittee is authorized to make changes at the facility to implement alternative operating scenarios identified in this permit in accordance with 25 Pa. Code § 127.447.

**SECTION C. Site Level Requirements****I. RESTRICTIONS.****Emission Restriction(s).****# 001 [25 Pa. Code §123.1]****Prohibition of certain fugitive emissions**

(a) No person shall permit the emission into the outdoor atmosphere of a fugitive air contaminant from a source other than the following:

- (1) Construction or demolition of buildings or structures.
- (2) Grading, paving, and maintenance of roads and streets.
- (3) Use of roads and streets. Emissions from material in or on trucks, railroad cars, and other vehicular equipment are not considered as emissions from the use of roads and streets.
- (4) Clearing of land.
- (5) Stockpiling of materials.
- (6) Open burning operations
- (7) Sources and classes of sources other than those identified in (a)(1)-(a)(6), above, for which the operator has obtained a determination from the Department that fugitive emissions from the source, after appropriate control, meet the following requirements:
 - (i) The emissions are of minor significance with respect to causing air pollution; and
 - (ii) The emissions are not preventing or interfering with the attainment or maintenance of any ambient air quality standard.

002 [25 Pa. Code §123.2]**Fugitive particulate matter**

No person shall permit the emission of fugitive particulate matter into the outdoor atmosphere from a source specified in Section C, Condition #001, if the emissions are visible at the point the emissions pass outside the person's property.

003 [25 Pa. Code §123.31]**Limitations**

No person shall permit the emission into the outdoor atmosphere of any malodorous air contaminants from any source in such a manner that the malodors are detectable outside the property of the person on whose land the source is being operated.

004 [25 Pa. Code §123.41]**Limitations**

No person shall permit the emission into the outdoor atmosphere of visible air contaminants in such a manner that the opacity of the emission is either of the following:

- (1) Equal to or greater than 20% for a period or periods aggregating more than three (3) minutes in any one hour.
- (2) Equal to or greater than 60% at any time.

005 [25 Pa. Code §123.42]**Exceptions**

The emission limitation of 25 Pa. Code Section 123.41, shall not apply when:

- (1) The presence of uncombined water is the only reason for failure of the emission to meet the limitations.
- (2) The emission results from the operation of equipment used solely to train and test persons in observing the opacity of visible emissions.
- (3) The emission results from sources specified in Section C, Condition #001, subsections (a)(1)-(a)(7).

SECTION C. Site Level Requirements**# 006 [25 Pa. Code §127.441]****Operating permit terms and conditions.**

The permittee shall limit the facility's total actual emissions below the following levels to maintain the facility's Title V synthetic minor status:

- (a) 100 tons per year of sulfur oxides
- (b) 100 tons per year of nitrogen oxides
- (c) 100 tons per year of carbon monoxide
- (d) 100 tons per year of PM-10 or PM 2.5 (particulate matter with an effective aerodynamic diameter of less than or equal to a nominal 10 micrometer body as measured by the applicable reference method or an equal method)
- (e) 50 tons per year of volatile organic compounds
- (f) 10 tons per year of any individual hazardous air pollutant
- (g) 25 tons per year of total combined hazardous air pollutants

The above emission limits are based upon a 12-month rolling average and apply to each consecutive 12-month period. Compliance verification requires emissions to be calculated for each month and each consecutive 12-month period.

007 [25 Pa. Code §129.14]**Open burning operations**

(a) No person shall conduct open burning of materials in such a manner that:

- (1) The emissions are visible, at any time, at the point such emissions pass outside the property of the person on whose land the open burning is being conducted.
- (2) Malodorous air contaminants from the open burning are detectable outside the property of the person on whose land the open burning is being conducted.
- (3) The emissions interfere with the reasonable enjoyment of life and property.
- (4) The emissions cause damage to vegetation or property.
- (5) The emissions are or may be deleterious to human or animal health.

(b) Exceptions. The requirements of Subsection (a) do not apply where the open burning operations result from:

- (1) A fire set to prevent or abate a fire hazard, when approved by the Department and set by or under the supervision of a public official.
- (2) Any fire set for the purpose of instructing personnel in fire fighting, when approved by the Department.
- (3) A fire set for the prevention and control of disease or pests, when approved by the Department.
- (4) A fire set solely for recreational or ceremonial purposes.
- (5) A fire set solely for cooking food.

(c) This permit does not constitute authorization to burn solid waste pursuant to section 610 (3) of the Solid Waste Management Act 35 P.S. Section 6018.610 (3), or any other provision of the Solid Waste Management Act.

**SECTION C. Site Level Requirements****II. TESTING REQUIREMENTS.****# 008 [25 Pa. Code §127.441]****Operating permit terms and conditions.**

The Department reserves the right to require exhaust stack testing of the sources referenced in this permit to measure emissions for purposes including verification of permit condition compliance and estimation of annual air emissions.

009 [25 Pa. Code §139.1]**Sampling facilities.**

Upon the request of the Department, the permittee shall provide adequate sampling ports, safe sampling platforms and adequate utilities for the performance by the Department of tests on such sources. In the request, the Department will set forth the time period in which the facilities shall be provided as well as the specifications for such facilities.

010 [25 Pa. Code §139.11]**General requirements.**

(a) As specified in 25 Pa. Code Section 139.11(1), performance tests shall be conducted while the source is operating at maximum routine operating conditions or under such other conditions, within the capacity of the equipment, as may be requested by the Department.

(b) As specified in 25 Pa. Code Section 139.11(2), the Department will consider test results for approval where sufficient information is provided to verify the source conditions existing at the time of the test and where adequate data is available to show the manner in which the test was conducted. Information submitted to the Department shall include, at a minimum, all of the following:

- (1) A thorough source description, including a description of any air cleaning devices and the flue.
- (2) Process conditions, for example, the throughput rate of foundry production, and other conditions which may affect emissions from the process.
- (3) The location of the sampling ports.
- (4) Effluent characteristics, including velocity, temperature, moisture content, gas density (percentage CO, CO₂, O₂, and N₂), static and barometric pressures.
- (5) Sample collection techniques employed, including procedures used, equipment descriptions, and data to verify that isokinetic sampling for particulate matter collection occurred and that acceptable test conditions were met.
- (6) Laboratory procedures and results.
- (7) Calculated results.

III. MONITORING REQUIREMENTS.**# 011 [25 Pa. Code §123.43]****Measuring techniques**

Visible emissions may be measured using either of the following:

- (1) A device approved by the Department and maintained to provide accurate opacity measurements.
- (2) Observers, trained and certified in EPA Method 9, to measure plume opacity with the naked eye or with the aid of any device(s) approved by the Department.

012 [25 Pa. Code §127.441]**Operating permit terms and conditions.**

The permittee shall conduct a weekly inspection around the plant periphery during daylight hours when the plant is in production to detect visible stack emissions, fugitive visible emissions, and malodorous air contaminants as follows:

- (a) Stack emissions as stated in Section C, Condition #004. Visible stack emissions may be measured according to the methods specified in Section C, Condition #011, or alternately, plant personnel who observe visible stack emissions may

SECTION C. Site Level Requirements

report the incident of visible stack emissions to the Department within two (2) hours of the incident and make arrangements for a certified observer to measure the visible stack emissions.

(b) The presence of fugitive visible emissions beyond the plant property boundaries, as stated in Section C, Condition #002.

(c) The presence of malodorous air contaminants beyond the plant property boundaries, as stated in Section C, Condition #003.

IV. RECORDKEEPING REQUIREMENTS.**# 013 [25 Pa. Code §127.441]****Operating permit terms and conditions.**

The permittee shall maintain records of weekly inspections referenced in Section C, Condition #012. The records shall include, at a minimum, the following information:

- (1) The name of the company representative monitoring these instances.
- (2) A description of the emissions and/or malodors observed and actions taken to mitigate them.
- (3) The date and time of the observation.

014 [25 Pa. Code §127.441]**Operating permit terms and conditions.**

All records required by this operating permit and subsequent issuances shall be maintained for the most recent five-year period and made available to Department representatives upon request.

015 [25 Pa. Code §135.5]**Recordkeeping**

Source owners or operators shall maintain and make available upon request by the Department records including computerized records that may be necessary to comply with 25 Pa. Code Sections 135.3 and 135.21 (relating to reporting; and emission statements). These may include records of production, fuel usage, maintenance of production or pollution control equipment or other information determined by the Department to be necessary for identification and quantification of potential and actual air contaminant emissions. If direct recordkeeping is not possible or practical, sufficient records shall be kept to provide the needed information by indirect means.

V. REPORTING REQUIREMENTS.**# 016 [25 Pa. Code §127.441]****Operating permit terms and conditions.**

[Additional authority for this permit condition is derived from 25 Pa. Code Section 135.3]

The permittee shall submit an annual report to the Altoona District Supervisor that includes the annual emissions of each of the pollutants listed in Section C, Condition # 006

The report for each January 1st through December 31st period is due no later than March 1st of the following year for each year authorized by the operating permit or its renewal.

The permittee may request an extension of time from the Department for the filing of the annual report specified above and the Department may grant the extension for reasonable cause.

017 [25 Pa. Code §127.442]**Reporting requirements.**

The permittee shall report malfunctions to the Department. A malfunction is defined as any sudden, infrequent, and not reasonably preventable failure of air pollution control equipment, process equipment, or a process to operate in a normal or usual manner. Failures that are caused in part by poor maintenance or careless operation are not malfunctions. Malfunctions shall be reported as follows:

(a) Any malfunction which poses an imminent danger to the public health, safety, welfare, and environment, shall be immediately reported to the Department by telephone. The telephone report of such malfunctions shall occur no later than

SECTION C. Site Level Requirements

two (2) hours after the incident. The permittee shall submit a written report of instances of such malfunctions to the Department within three (3) days of the telephone report.

(i) Telephone reports can be made to the Air Quality Program at (814) 946-7290 during normal business hours or to the Department's Emergency Hotline at (866) 825-0208 at any time.

(b) Unless otherwise required by this permit, any other malfunction that is not subject to the reporting requirement of subsection (a) above, shall be reported to the Department, in writing, within five (5) days of malfunction discovery.

VI. WORK PRACTICE REQUIREMENTS.**# 018 [25 Pa. Code §123.1]****Prohibition of certain fugitive emissions**

The permittee shall take all reasonable actions to prevent particulate matter from becoming airborne from any source specified in Section C, Condition #001(a)(1)-(a)(7). These actions shall include, but are not limited to, the following:

(1) Use, where possible, of water or chemicals for control of dust in the demolition of buildings or structures, construction operations, the grading of roads, or the clearing of land.

(2) Application of asphalt, oil, water, or suitable chemicals on dirt roads, material stockpiles, and other surfaces, which may give rise to airborne dusts.

(3) Paving and maintenance of roadways.

(4) Prompt removal of earth or other material from paved streets onto which earth or other material has been transported by trucking or earth moving equipment, erosion by water, or other means.

019 [25 Pa. Code §127.444]**Compliance requirements.**

The permittee shall operate and maintain all sources and any air cleaning devices identified in this operating permit in accordance with the manufacturers' recommendations/specifications, as well as in a manner consistent with good operating practices.

VII. ADDITIONAL REQUIREMENTS.

No additional requirements exist except as provided in other sections of this permit including Section B (State Only General Requirements).

VIII. COMPLIANCE CERTIFICATION.

No additional compliance certifications exist except as provided in other sections of this permit including Section B (relating to State Only General Requirements).

IX. COMPLIANCE SCHEDULE.

No compliance milestones exist.

**SECTION D. Source Level Requirements**

Source ID: 100

Source Name: BLACKTOP PLANT

Source Capacity/Throughput:	135.000 MMBTU/HR	
	400.000 Tons/HR	ASPHALT
	135.000 MCF/HR	Natural Gas
	985.000 Gal/HR	#2 Oil

Conditions for this source occur in the following groups: 002 NSPS SUBPART 000
003

**I. RESTRICTIONS.****Fuel Restriction(s).**

001 [25 Pa. Code §127.441]
Operating permit terms and conditions.

The permittee shall only operate the burner primary natural gas, or No. 2 oil.

Throughput Restriction(s).

002 [25 Pa. Code §127.441]
Operating permit terms and conditions.

The maximum production rate for Source ID 100 shall not exceed 1,100,000 tons product in any 12 consecutive month period.

II. TESTING REQUIREMENTS.

No additional testing requirements exist except as provided in other sections of this permit including Section B (State Only General Requirements) and/or Section E (Source Group Restrictions).

III. MONITORING REQUIREMENTS.

No additional monitoring requirements exist except as provided in other sections of this permit including Section B (State Only General Requirements) and/or Section E (Source Group Restrictions).

IV. RECORDKEEPING REQUIREMENTS.

No additional record keeping requirements exist except as provided in other sections of this permit including Section B (State Only General Requirements) and/or Section E (Source Group Restrictions).

V. REPORTING REQUIREMENTS.

No additional reporting requirements exist except as provided in other sections of this permit including Section B (State Only General Requirements) and/or Section E (Source Group Restrictions).

**SECTION D. Source Level Requirements****VI. WORK PRACTICE REQUIREMENTS.**

No additional work practice requirements exist except as provided in other sections of this permit including Section B (State Only General Requirements) and/or Section E (Source Group Restrictions).

VII. ADDITIONAL REQUIREMENTS.

003 [25 Pa. Code §127.441]

Operating permit terms and conditions.

[Additional Authority for this condition is derived from GP13-07-05032, and the condition numbering is taken from the general permit:]

14. Limitations and Requirements (Including Best Available Technology)

a. The owner or operator of any HMA plant for which a plan approval was previously issued pursuant to 25 Pa. Code §127.11 (relating to plan approval requirements) shall comply with the applicable air contaminant emission limitations specified in this permit and in 25 Pa. Code §§ 123.1 (relating to prohibition of certain fugitive emissions), 123.13 (relating to processes) and 123.41 (relating to limitations). In addition, compliance with any BAT requirements established in the previously issued plan approval pursuant to the BAT requirement specified in 25 Pa. Code §§ 127.1 and 127.12(a)(5) is also required.

The permittee shall comply with the following limitations and requirements:

- i. The drop heights from front-end loaders being used to stockpile, transfer, and load aggregate shall be kept as short as possible to minimize dust emissions.
- ii. Stockpiles shall be kept as compact as possible to limit exposure to the wind. Material shall be stockpiled in such a manner that it may be adequately wetted as necessary to control fugitive emissions.
- iii. All in-plant roads shall be maintained to prevent particulate matter from becoming airborne in accordance with 25 Pa. Code §§ 123.1 and 123.2.
- iv. All unpaved in-plant roads shall be watered once per day during warm weather, at the start of each shift, if no precipitation has fallen within the previous twentyfour (24) hours, and as needed thereafter on a preventative basis such that visible fugitive emissions are controlled in accordance with 25 Pa. Code §§ 123.1 and 123.2. Other methods of dust control may be used when weather conditions make the watering of unpaved roads hazardous.
- v. In accordance with 25 Pa. Code § 123.1(c), the owner or operator shall promptly remove earth or other material from paved roads onto which earth or other material has been transported by trucking or earth moving equipment, or other means.
- vi. A set vehicle pattern shall be established and maintained for vehicles entering and exiting the plant.
- vii. The owner or operator shall post a sign limiting speeds to less than 15 mph on all in-plant roads.
- viii. The owner or operator shall post and enforce a requirement stating "All vehicles entering or exiting the plant property shall be properly tarpaulin covered." Vehicles with a gross vehicle weight rating of less than 10,000 pounds shall be exempt from this condition.
- ix. The Department reserves the right to require additional controls (water sprays, paving, conveyor covers, etc.) based on evaluation of the operation after inspection and determination that existing controls are not adequate for controlling fugitive emissions.
- x. Speed limit signs shall be posted consistent with the requirements of the Pennsylvania Department of Transportation (overall dimension 20 inches x24 inches, "SPEED LIMIT" in 4-inch letters and 10-inch numerals).
- xi. Source 100 shall be controlled by an appropriately designed fabric collector.

**SECTION D. Source Level Requirements**

xii. No fugitive air contaminant emissions shall be generated as a result of removing collected dust from the baghouse or as a result of subsequently handling the collected dust on-site following its removal from the collector.

xiii. The owner or operator shall keep sufficient quantity of spare baghouse bags, at a minimum of 10% of the total number of bags, on hand for immediate replacement.

xiv. The owner or operator is approved to burn the following fuels:

- 1.) Propane
- 2.) Natural gas
- 3.) No.2 fuel oil

xv. The owner or operator may not use a fuel to fire a burner at the plant that exceeds either of the sulfur limits stated below:

- 1.) For No.2 fuel oil, =0.3%, by weight, based on GP13, or
- 2.) For No.2 fuel oil, =0.05%, by weight, based on 25 Pa. Code Section 123.22(a)(2)(i), and as otherwise conditioned in 25 Pa. Code Section 123.22.

xvi. Fuel analysis records shall be used to demonstrate compliance with the above sulfur limitations. For each shipment of any liquid fuel, fuel sulfur content shall also be demonstrated by providing the supplier's fuel certification for the type of fuel received.

xvii. [NA – SPECIFIED FUELS NOT USED]

xviii. Analytical Techniques

The following analytical techniques and methods, or alternative methods approved in writing by the Department, will be accepted for the analyses required by this permit.

Constituent: Analytical Technique
Sulfur: ASTM D3227, D1552, D4294, or D129

xix - xxv. [NA – SPECIFIED FUELS NOT USED]

b. [NA – PLANT CONSTRUCTED AFTER 7/1/72]

c. The permittee shall comply with the following best available technology requirements, which are hereby established pursuant to 25 Pa. Code §§ 127.1 and 127.12(a)(5):

i. The filterable particulate matter emissions in the exhaust of the fabric collector (baghouse) shall not exceed 0.009 grains per dry standard cubic foot of effluent gas volume.

ii. The total PM-10 (filterable plus condensable) in the exhaust of the baghouse shall not exceed 0.021 grains per dry standard cubic foot of effluent gas volume.

iii. There shall be no visible air contaminant emissions from the exhaust of the baghouse.

iv. Pursuant to BAT requirements, the following emission limits pertain to NO_x, CO and VOC (as propane):

NO_x: 60 ppmvd @15% O₂
CO: 200 ppmvd @15% O₂
VOC (as propane): 30 ppmvd @15% O₂

15. Performance Testing/Tuning

a. [INITIAL PERFORMANCE TEST ALREADY COMPLETED, PROVIDED THAT DEP APPROVES THE TEST RESULTS; GP13]

**SECTION D. Source Level Requirements****CONDITION 15(a) REQUIREMENTS INCORPORATED BY REFERENCE]**

b. Except for the first year, the owner or operator shall conduct a burner tuning procedure in accordance with the manufacturer's specifications to minimize NOx and CO emissions each year thereafter. The owner or operator shall conduct each annual tune-up not later than June 15 of each year or within four (4) weeks after each start-up of the HMA plant. An existing HMA plant as described in Condition 14.b of this condition may use an earlier stack test result approved by the Department for demonstration of compliance with this requirement, if it has been already tested for the worst case fuel. In such case, conducting a burner tuning procedure in accordance with the manufacturer's specifications will be adequate. The owner or operator shall comply with the following requirements:

i. The burner shall be tuned so that the emissions do not exceed limits stated in Conditions 14.b.ii. and 14.c.iv of this condition.

ii. The air-to-fuel ratio controls shall be inspected and adjusted to ensure proper operation in accordance with the manufacturer's specifications.

iii. Monitoring records stating the following information shall be kept on site for a minimum of five years and shall be made available to the Department upon request.

- 1.) The date of the tuning procedure;
- 2.) The name of the servicing company and technician;
- 3.) The production rate (tons/hr) or load before and after tuning;
- 4.) The CO and NOx concentrations (ppmv) before and after tuning; and
- 5.) The percent O2 before and after tuning.

c. The owner or operator shall, upon request of the Department, provide fuel analyses, or samples of any fuel permitted by the Department for use in any unit authorized to operate under this permit.

d. If at any time the Department has reason to believe that the air contaminant emissions from the exhaust of a fabric collector (baghouse) associated with an HMA plant operating under this permit are, or may be, in excess of any applicable air contaminant emission limitation, the owner or operator shall conduct such stack tests or source tests requested by the Department to determine the actual air contaminant emission rate. The owner or operator shall perform any such testing in accordance with the applicable provisions of 25 Pa. Code, Chapter 139 (relating to sampling and testing) as well as in accordance with any additional requirements or conditions established by the Department at the time the owner or operator is notified, in writing, of the need to conduct testing.

16. Monitoring, Recordkeeping and Reporting

a. The owner or operator shall maintain records including the following:

- i. Monthly and 12-month rolling total for asphalt production;
- ii. Daily records shall be made available to the Department upon request;
- iii. 12-month rolling total for gallons of No. 2 fuel oil, No. 4 fuel oil, WDLF, biodiesel, alternative fuels used;
- iv. Hours operated while firing each liquid fuel;
- v. 12-month rolling total for each pollutant listed;
- vi. Daily baghouse pressure drop reading;
- vii. Daily stack, fugitive and malodor surveys;
- viii. Any corrective actions taken to bring facility back into compliance with stack, fugitive, and malodor requirements of this permit; and
- ix. Records of tune-up and annual portable monitor testing done in accordance with Condition 15.b. of this condition.

b. All logs and required records shall be maintained on site for a minimum of five (5) years and shall be made available to the Department upon request.

c. The owner or operator shall perform monitoring of the facility at least once per operating day for the presence of visible emissions and malodors. The owner or operator shall take immediate corrective action to eliminate any emissions that are

**SECTION D. Source Level Requirements**

out of compliance with the plant's operating permit. A Method 9 reading is not required for the evaluation of visible emissions.

d. The baghouse shall be equipped with instrumentation to monitor the differential pressure across the unit on a continuous basis. The gauge should be positioned so that it is easily accessed and read.

e. Pursuant to 25 Pa. Code § 135.5 (relating to recordkeeping), the owner or operator of the HMA plant shall maintain and make available, upon request by the Department, such records as may be necessary to demonstrate compliance with 25 Pa. Code § 135.3 (relating to reporting). These records may include records of production, fuel usage, maintenance of production or pollution control equipment or other information determined by the Department to be necessary for identification and quantification of potential and actual air contaminant emissions. The records shall be retained for a minimum of five (5) years and shall be made available to the Department upon request.

f. Pursuant to 25 Pa. Code § 135.3, a person who owns or operates an air contamination source to which 25 Pa. Code, Chapter 135 (relating to reporting of sources) applies and who has previously been advised by the Department to submit an annual emissions report shall submit by March 1 of each year an emission report for the preceding calendar year. The report shall include information for all previously reported air contamination sources, new air contamination sources that were first operated during the preceding calendar year and air contamination sources modified during the same period that were not previously reported. An owner or operator who receives initial notification by the Department that an emission report is necessary shall submit the report within sixty (60) days after receiving notification or by March 1 of the year following the year for which the report is required, whichever is later.

g. HMA plants constructed after June 11, 1973 are subject to the New Source Performance Standards of 40 CFR, Part 60, Subpart I, Standards of Performance for HMA Facilities. In accordance with 40 CFR 60.4, copies of all requests, reports, applications, and submittals, and other communications, shall be forwarded to EPA at the address listed below, unless otherwise noted.

Air Enforcement Branch Chief (3AP00)
United States Environmental Protection Agency
Region 3
1650 Arch Street
Philadelphia, PA 19103-2029

h. The owner or operator of the HMA plant shall submit to EPA Region III the notifications required by 40 CFR § 60.7. The required notifications shall include the following: date of commencement of construction (within 30 days after starting construction), date of anticipated start-up (30-60 days prior to equipment start-up), actual start-up date (within 15 days after equipment start-up), physical or operational changes (60 days or as soon as practicable before equipment start-up), and opacity observations (within 30 days).



SECTION D. Source Level Requirements

Source ID: 101

Source Name: REXNORD CONCRETE PLANT

Source Capacity/Throughput: 300.000 Cu Yd/HR CONCRETE

Conditions for this source occur in the following groups: 001



I. RESTRICTIONS.

No additional requirements exist except as provided in other sections of this permit including Section B (State Only General Requirements) and/or Section E (Source Group Restrictions).

II. TESTING REQUIREMENTS.

No additional testing requirements exist except as provided in other sections of this permit including Section B (State Only General Requirements) and/or Section E (Source Group Restrictions).

III. MONITORING REQUIREMENTS.

No additional monitoring requirements exist except as provided in other sections of this permit including Section B (State Only General Requirements) and/or Section E (Source Group Restrictions).

IV. RECORDKEEPING REQUIREMENTS.

No additional record keeping requirements exist except as provided in other sections of this permit including Section B (State Only General Requirements) and/or Section E (Source Group Restrictions).

V. REPORTING REQUIREMENTS.

No additional reporting requirements exist except as provided in other sections of this permit including Section B (State Only General Requirements) and/or Section E (Source Group Restrictions).

VI. WORK PRACTICE REQUIREMENTS.

No additional work practice requirements exist except as provided in other sections of this permit including Section B (State Only General Requirements) and/or Section E (Source Group Restrictions).

VII. ADDITIONAL REQUIREMENTS.

No additional requirements exist except as provided in other sections of this permit including Section B (State Only General Requirements) and/or Section E (Source Group Restrictions).

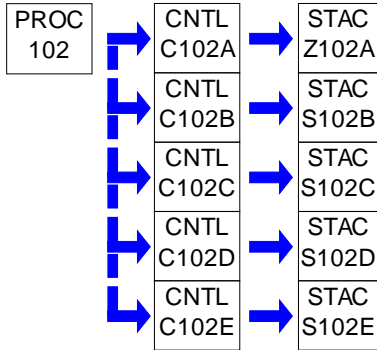
SECTION D. Source Level Requirements

Source ID: 102

Source Name: LIMESTONE CRUSHING PLNT

Source Capacity/Throughput: 1,200.000 Tons/HR LIMESTONE

Conditions for this source occur in the following groups: 002 NSPS SUBPART 000

**I. RESTRICTIONS.****Emission Restriction(s).**

001 [25 Pa. Code §123.13]

Processes

No person may permit the emission into the outdoor atmosphere of particulate matter from this source in excess of 0.04 grains per dry standard cubic feet when the effluent gas volume is less than 150,000 dry standard cubic feet per minute.

II. TESTING REQUIREMENTS.

No additional testing requirements exist except as provided in other sections of this permit including Section B (State Only General Requirements) and/or Section E (Source Group Restrictions).

III. MONITORING REQUIREMENTS.

002 [25 Pa. Code §127.441]

Operating permit terms and conditions.

The permittee shall permanently install a device to continuously monitor the pressure drop across Control Devices C102B, C102C, C102D and C102E.

IV. RECORDKEEPING REQUIREMENTS.

003 [25 Pa. Code §127.441]

Operating permit terms and conditions.

The permittee shall maintain a record of pressure drops across Control Devices C102B, C102C, C102D and C102E. Pressure drop readings shall be taken a minimum of once per week.

V. REPORTING REQUIREMENTS.

No additional reporting requirements exist except as provided in other sections of this permit including Section B (State Only General Requirements) and/or Section E (Source Group Restrictions).

VI. WORK PRACTICE REQUIREMENTS.

004 [25 Pa. Code §127.441]

Operating permit terms and conditions.

The permittee shall operate Source 102's fabric filter collectors at all times Source 102 is operating.

SECTION D. Source Level Requirements

The permittee shall operate Source 102's fabric filter collectors in accordance with the manufacturer's specifications and good air pollution control practices.

005 [25 Pa. Code §127.441]**Operating permit terms and conditions.**

The permittee shall operate Source 102's wet suppression system on any occasions that the respective sources are operated. Operation without simultaneous operation of the wet suppression system can take place only in those unusual instances where processed materials contain sufficient moisture so as not to create air contaminant emissions in excess of the limitations and standards of this permit. If, however, the wet suppression system is incapable of operation due to weather conditions or any other reason, the permittee may not operate the plant.

The permittee shall operate Control Device C102A in accordance with manufacturer's specification and good air pollution control practices.

VII. ADDITIONAL REQUIREMENTS.

No additional requirements exist except as provided in other sections of this permit including Section B (State Only General Requirements) and/or Section E (Source Group Restrictions).

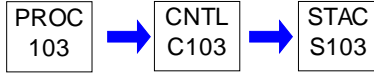
SECTION D. Source Level Requirements

Source ID: 103

Source Name: REXCON CONCRETE PLANT

Source Capacity/Throughput: 300.000 Cu Yd/HR CONCRETE

Conditions for this source occur in the following groups: 001

**I. RESTRICTIONS.**

No additional requirements exist except as provided in other sections of this permit including Section B (State Only General Requirements) and/or Section E (Source Group Restrictions).

II. TESTING REQUIREMENTS.

No additional testing requirements exist except as provided in other sections of this permit including Section B (State Only General Requirements) and/or Section E (Source Group Restrictions).

III. MONITORING REQUIREMENTS.

No additional monitoring requirements exist except as provided in other sections of this permit including Section B (State Only General Requirements) and/or Section E (Source Group Restrictions).

IV. RECORDKEEPING REQUIREMENTS.

No additional record keeping requirements exist except as provided in other sections of this permit including Section B (State Only General Requirements) and/or Section E (Source Group Restrictions).

V. REPORTING REQUIREMENTS.

No additional reporting requirements exist except as provided in other sections of this permit including Section B (State Only General Requirements) and/or Section E (Source Group Restrictions).

VI. WORK PRACTICE REQUIREMENTS.

No additional work practice requirements exist except as provided in other sections of this permit including Section B (State Only General Requirements) and/or Section E (Source Group Restrictions).

VII. ADDITIONAL REQUIREMENTS.

No additional requirements exist except as provided in other sections of this permit including Section B (State Only General Requirements) and/or Section E (Source Group Restrictions).

**SECTION E. Source Group Restrictions.**

Group Name: 001

Group Description: Concrete Plants

Sources included in this group

ID	Name
101	REXNORD CONCRETE PLANT
103	REXCON CONCRETE PLANT

I. RESTRICTIONS.**Emission Restriction(s).****# 001 [25 Pa. Code §123.13]****Processes**

No person may permit the emission into the outdoor atmosphere of particulate matter from these sources in excess of 0.04 grains per dry standard cubic feet when the effluent gas volume is less than 150,000 dry standard cubic feet per minute.

002 [25 Pa. Code §123.21]**General**

Sulfur oxides emissions, expressed as sulfur dioxide, from these sources shall not exceed a concentration of 500 parts per million, by volume, dry basis, in the effluent gas.

II. TESTING REQUIREMENTS.

No additional testing requirements exist except as provided in other sections of this permit including Section B (State Only General Requirements).

III. MONITORING REQUIREMENTS.

No additional monitoring requirements exist except as provided in other sections of this permit including Section B (State Only General Requirements).

IV. RECORDKEEPING REQUIREMENTS.

No additional record keeping requirements exist except as provided in other sections of this permit including Section B (State Only General Requirements).

V. REPORTING REQUIREMENTS.

No additional reporting requirements exist except as provided in other sections of this permit including Section B (State Only General Requirements).

VI. WORK PRACTICE REQUIREMENTS.**# 003 [25 Pa. Code §127.441]****Operating permit terms and conditions.**

[Additional authority for this permit condition is derived from OP 07-311-001A.]

The permittee shall keep on hand a sufficient quantity of spare fabric collector bags for Control Device C101 and C103 in order to be able to immediately replace any bags requiring replacement due to deterioration resulting from routine operation of Sources 101 and 103.

VII. ADDITIONAL REQUIREMENTS.

No additional requirements exist except as provided in other sections of this permit including Section B (State Only General Requirements).

**SECTION E. Source Group Restrictions.**

Group Name: 002 NSPS SUBPART OOO

Group Description: Subpart OOO - Standards of Performance for Nonmetallic Mineral Processing Plants

Sources included in this group

ID	Name
100	BLACKTOP PLANT
102	LIMESTONE CRUSHING PLNT

I. RESTRICTIONS.**Emission Restriction(s).****# 001 [40 CFR Part 60 Standards of Performance for New Stationary Sources §40 CFR 60.672]****Subpart OOO - Standards of Performance for Nonmetallic Mineral Processing Plants
Standard for particulate matter.**

(a) Affected facilities must meet the stack emission limits and compliance requirements in Table 2 of this subpart within 60 days after achieving the maximum production rate at which the affected facility will be operated, but not later than 180 days after initial startup as required under § 60.8. The requirements in Table 2 of this subpart apply for affected facilities with capture systems used to capture and transport particulate matter to a control device.

TABLE 2 SUMMARY:

-The stack emission limits for affected facilities with capture systems for affected facilities that commenced construction, modification or reconstruction after August 31, 1983 but before April 22, 2008: The owner or operator must meet a PM limit of 0.22 grains per dry standard cubic foot and an opacity standard of 7 percent for dry control devices.

-The stack emission limits for affected facilities with capture systems for affected facilities that commenced construction, modification or reconstruction on or after April 22, 2008: The owner or operator must meet a PM limit of 0.014 grains per dry standard cubic foot and an opacity standard of 7 percent for dry control devices on individual enclosed storage bins.

(b) Affected facilities must meet the fugitive emission limits and compliance requirements in Table 3 of this subpart within 60 days after achieving the maximum production rate at which the affected facility will be operated, but not later than 180 days after initial startup as required under § 60.11. The requirements in Table 3 of this subpart apply for fugitive emissions from affected facilities without capture systems and for fugitive emissions escaping capture systems.

TABLE 3 SUMMARY:

-For equipment constructed after August 31, 1983 but before April 22, 2008 shall not cause to be discharged into the atmosphere from any grinding mills, screening operations, bucket elevators, transfer points on belt conveyors, bagging operations, storage bins, enclosed truck or railcar loading stations or from any other affected facility (as defined in §§60.670 and 60.670) any fugitive emissions which exhibit greater than 10 percent opacity or any crusher at which a capture system is not used, fugitive emissions greater than 15 percent opacity.

-For equipment constructed on or after April 22, 2008 shall not cause to be discharged into the atmosphere from any grinding mills, screening operations, bucket elevators, transfer points on belt conveyors, bagging operations, storage bins, enclosed truck or railcar loading stations or from any other affected facility (as defined in §§60.670 and 60.670) any fugitive emissions which exhibit greater than 7 percent opacity or any crusher at which a capture system is not used, fugitive emissions greater than 12 percent opacity.

(c) [Reserved]

(d) Truck dumping of nonmetallic minerals into any screening operation, feed hopper, or crusher is exempt from the requirements of this section.

(e) If any transfer point on a conveyor belt or any other affected facility is enclosed in a building, then each enclosed affected facility must comply with the emission limits in paragraphs (a) and (b) of this section, or the building enclosing the affected facility or facilities must comply with the following emission limits:

(1) Fugitive emissions from the building openings (except for vents as defined in § 60.671) must not exceed 7 percent

**SECTION E. Source Group Restrictions.**

opacity; and

(2) Vents (as defined in § 60.671) in the building must meet the applicable stack emission limits and compliance requirements in Table 2 of this subpart.

(f) Any baghouse that controls emissions from only an individual, enclosed storage bin is exempt from the applicable stack PM concentration limit (and associated performance testing) in Table 2 of this subpart but must meet the applicable stack opacity limit and compliance requirements in Table 2 of this subpart. This exemption from the stack PM concentration limit does not apply for multiple storage bins with combined stack emissions.

II. TESTING REQUIREMENTS.**# 002 [40 CFR Part 60 Standards of Performance for New Stationary Sources §40 CFR 60.675]****Subpart 000 - Standards of Performance for Nonmetallic Mineral Processing Plants****Test methods and procedures.**

(a) [N/A - INITIAL PERFORMANCE TEST CONDUCTED]

(b) [N/A - INITIAL PERFORMANCE TEST CONDUCTED]

(c)

(1) In determining compliance with the particulate matter standards in § 60.672(b) or § 60.672(e)(1), the owner or operator shall use Method 9 of Appendix A-4 of this part and the procedures in § 60.11, with the following additions:

(i) The minimum distance between the observer and the emission source shall be 4.57 meters (15 feet).

(ii) The observer shall, when possible, select a position that minimizes interference from other fugitive emission sources (e.g., road dust). The required observer position relative to the sun (Method 9 of Appendix A-4 of this part, Section 2.1) must be followed.

(iii) For affected facilities using wet dust suppression for particulate matter control, a visible mist is sometimes generated by the spray. The water mist must not be confused with particulate matter emissions and is not to be considered a visible emission. When a water mist of this nature is present, the observation of emissions is to be made at a point in the plume where the mist is no longer visible.

(2) [N/A - THE BAGHOUSES DO NOT CONTROL EMISSIONS FROM INDIVIDUAL ENCLOSED STORAGE BINS]

(3) When determining compliance with the fugitive emissions standard for any affected facility described under § 60.672(b) or § 60.672(e)(1) of this subpart, the duration of the Method 9 (40 CFR part 60, Appendix A-4) observations must be 30 minutes (five 6-minute averages). Compliance with the applicable fugitive emission limits in Table 3 of this subpart must be based on the average of the five 6-minute averages.

(d) [N/A - FOR BUILDINGS (OPENINGS)]

(e) The owner or operator may use the following as alternatives to the reference methods and procedures specified in this section:

(1) For the method and procedure of paragraph (c) of this section, if emissions from two or more facilities continuously interfere so that the opacity of fugitive emissions from an individual affected facility cannot be read, either of the following procedures may be used:

(i) Use for the combined emission stream the highest fugitive opacity standard applicable to any of the individual affected facilities contributing to the emissions stream.

(ii) Separate the emissions so that the opacity of emissions from each affected facility can be read.

(2) A single visible emission observer may conduct visible emission observations for up to three fugitive, stack, or vent

SECTION E. Source Group Restrictions.

emission points within a 15-second interval if the following conditions are met:

- (i) No more than three emission points may be read concurrently.
 - (ii) All three emission points must be within a 70 degree viewing sector or angle in front of the observer such that the proper sun position can be maintained for all three points.
 - (iii) If an opacity reading for any one of the three emission points equals or exceeds the applicable standard, then the observer must stop taking readings for the other two points and continue reading just that single point.
- (3) Method 5I of Appendix A-3 of this part may be used to determine the PM concentration as an alternative to the methods specified in paragraph (b)(1) of this section. Method 5I (40 CFR part 60, Appendix A-3) may be useful for affected facilities that operate for less than 1 hour at a time such as (but not limited to) storage bins or enclosed truck or railcar loading stations.
- (4) In some cases, velocities of exhaust gases from building vents may be too low to measure accurately with the type S pitot tube specified in EPA Method 2 of Appendix A-1 of this part [i.e., velocity head <1.3 mm H₂O (0.05 in. H₂O)] and referred to in EPA Method 5 of Appendix A-3 of this part. For these conditions, the owner or operator may determine the average gas flow rate produced by the power fans (e.g., from vendor-supplied fan curves) to the building vent. The owner or operator may calculate the average gas velocity at the building vent measurement site using Equation 1 of this section and use this average velocity in determining and maintaining isokinetic sampling rates.

$$V_e = Q_f / A_e$$

Where:

V_e = average building vent velocity (feet per minute);

Q_f = average fan flow rate (cubic feet per minute); and

A_e = area of building vent and measurement location (square feet).

- (f) To comply with § 60.676(d), the owner or operator shall record the measurements as required in § 60.676(c) using the monitoring devices in § 60.674 (a)(1) and (2) during each particulate matter run and shall determine the averages.
- (g) [N/A - INITIAL PERFORMANCE TEST COMPLETED]
- (h) [Reserved]
- (i) [N/A - INITIAL PERFORMANCE TEST COMPLETED]

III. MONITORING REQUIREMENTS.**# 003 [40 CFR Part 60 Standards of Performance for New Stationary Sources §40 CFR 60.674]****Subpart 000 - Standards of Performance for Nonmetallic Mineral Processing Plants****Monitoring of operations.**

- (a) [N/A - THE FACILITY DOES NOT USE A WET SCRUBBER]

(b) The owner or operator of any affected facility for which construction, modification, or reconstruction commenced on or after April 22, 2008, that uses wet suppression to control emissions from the affected facility must perform monthly periodic inspections to check that water is flowing to discharge spray nozzles in the wet suppression system. The owner or operator must initiate corrective action within 24 hours and complete corrective action as expeditiously as practical if the owner or operator finds that water is not flowing properly during an inspection of the water spray nozzles. The owner or operator must record each inspection of the water spray nozzles, including the date of each inspection and any corrective actions taken, in the logbook required under § 60.676(b).

- (1) If an affected facility relies on water carryover from upstream water sprays to control fugitive emissions, then that affected facility is exempt from the 5-year repeat testing requirement specified in Table 3 of this subpart provided that the

**SECTION E. Source Group Restrictions.**

affected facility meets the criteria in paragraphs (b)(1)(i) and (ii) of this section:

(i) The owner or operator of the affected facility conducts periodic inspections of the upstream water spray(s) that are responsible for controlling fugitive emissions from the affected facility. These inspections are conducted according to paragraph (b) of this section and § 60.676(b), and

(ii) The owner or operator of the affected facility designates which upstream water spray(s) will be periodically inspected at the time of the initial performance test required under § 60.11 of this part and § 60.675 of this subpart.

(2) If an affected facility that routinely uses wet suppression water sprays ceases operation of the water sprays or is using a control mechanism to reduce fugitive emissions other than water sprays during the monthly inspection (for example, water from recent rainfall), the logbook entry required under § 60.676(b) must specify the control mechanism being used instead of the water sprays.

(c) Except as specified in paragraph (d) or (e) of this section, the owner or operator of any affected facility for which construction, modification, or reconstruction commenced on or after April 22, 2008, that uses a baghouse to control emissions must conduct quarterly 30-minute visible emissions inspections using EPA Method 22 (40 CFR part 60, Appendix A-7). The Method 22 (40 CFR part 60, Appendix A-7) test shall be conducted while the baghouse is operating. The test is successful if no visible emissions are observed. If any visible emissions are observed, the owner or operator of the affected facility must initiate corrective action within 24 hours to return the baghouse to normal operation. The owner or operator must record each Method 22 (40 CFR part 60, Appendix A-7) test, including the date and any corrective actions taken, in the logbook required under § 60.676(b). The owner or operator of the affected facility may establish a different baghouse-specific success level for the visible emissions test (other than no visible emissions) by conducting a PM performance test according to § 60.675(b) simultaneously with a Method 22 (40 CFR part 60, Appendix A-7) to determine what constitutes normal visible emissions from that affected facility's baghouse when it is in compliance with the applicable PM concentration limit in Table 2 of this subpart. The revised visible emissions success level must be incorporated into the permit for the affected facility.

(d) [N/A - THE FACILITY DOES NOT USE A BAG LEAK DETECTION SYSTEM]

(e) [N/A - THIS SECTION IS FOR MACT, 40 CFR SUBPART AAAA]

IV. RECORDKEEPING REQUIREMENTS.

No additional record keeping requirements exist except as provided in other sections of this permit including Section B (State Only General Requirements).

V. REPORTING REQUIREMENTS.

**# 004 [40 CFR Part 60 Standards of Performance for New Stationary Sources §40 CFR 60.676]
Subpart 000 - Standards of Performance for Nonmetallic Mineral Processing Plants
Reporting and recordkeeping.**

(a) Each owner or operator seeking to comply with § 60.670(d) shall submit to the Administrator the following information about the existing facility being replaced and the replacement piece of equipment.

(1) For a crusher, grinding mill, bucket elevator, bagging operation, or enclosed truck or railcar loading station:

(i) The rated capacity in megagrams or tons per hour of the existing facility being replaced and

(ii) The rated capacity in tons per hour of the replacement equipment.

(2) For a screening operation:

(i) The total surface area of the top screen of the existing screening operation being replaced and

(ii) The total surface area of the top screen of the replacement screening operation.

(3) For a conveyor belt:

SECTION E. Source Group Restrictions.

- (i) The width of the existing belt being replaced and
- (ii) The width of the replacement conveyor belt.
- (4) For a storage bin:
 - (i) The rated capacity in megagrams or tons of the existing storage bin being replaced and
 - (ii) The rated capacity in megagrams or tons of replacement storage bins.
- (b)
 - (1) Owners or operators of affected facilities (as defined in §§ 60.670 and 60.671) for which construction, modification, or reconstruction commenced on or after April 22, 2008, must record each periodic inspection required under § 60.674(b) or (c), including dates and any corrective actions taken, in a logbook (in written or electronic format). The owner or operator must keep the logbook onsite and make hard or electronic copies (whichever is requested) of the logbook available to the Administrator upon request.
 - (2) [N/A - FACILITY DOES NOT OPERATE A BAG LEAK DETECTION SYSTEM]
 - (3) [N/A - FACILITY IS NOT DEMONSTRATING COMPLIANCE BY FOLLOWING THE LIME MANUFACTURING NESHAP]
- (c) [N/A - FACILITY DOES NOT OPERATE A WET SCRUBBER]
- (d) [N/A - FACILITY DOES NOT OPERATE A WET SCRUBBER]
- (e) [N/A - FACILITY DOES NOT OPERATE A WET SCRUBBER]
- (f) The owner or operator of any affected facility shall submit written reports of the results of all performance tests conducted to demonstrate compliance with the standards set forth in § 60.672 of this subpart, including reports of opacity observations made using Method 9 (40 CFR part 60, Appendix A-4) to demonstrate compliance with § 60.672(b), (e) and (f).
- (g) The owner or operator of any wet material processing operation that processes saturated and subsequently processes unsaturated materials, shall submit a report of this change within 30 days following such change. At the time of such change, this screening operation, bucket elevator, or belt conveyor becomes subject to the applicable opacity limit in § 60.672(b) and the emission test requirements of § 60.11.
- (h) The subpart A requirement under § 60.7(a)(1) for notification of the date construction or reconstruction commenced is waived for affected facilities under this subpart.
- (i) A notification of the actual date of initial startup of each affected facility shall be submitted to the Administrator.
 - (1) For a combination of affected facilities in a production line that begin actual initial startup on the same day, a single notification of startup may be submitted by the owner or operator to the Administrator. The notification shall be postmarked within 15 days after such date and shall include a description of each affected facility, equipment manufacturer, and serial number of the equipment, if available.
 - (2) For portable aggregate processing plants, the notification of the actual date of initial startup shall include both the home office and the current address or location of the portable plant.
- (j) The requirements of this section remain in force until and unless the Agency, in delegating enforcement authority to a State under section 111(c) of the Act, approves reporting requirements or an alternative means of compliance surveillance adopted by such States. In that event, affected facilities within the State will be relieved of the obligation to comply with the reporting requirements of this section, provided that they comply with requirements established by the State.
- (k) Notifications and reports required under this subpart and under subpart A of this part to demonstrate compliance with this subpart need only to be sent to the EPA Region or the State which has been delegated authority according to § 60.4(b).

**SECTION E. Source Group Restrictions.****VI. WORK PRACTICE REQUIREMENTS.**

No additional work practice requirements exist except as provided in other sections of this permit including Section B (State Only General Requirements).

VII. ADDITIONAL REQUIREMENTS.**# 005 [25 Pa. Code §127.441]****Operating permit terms and conditions.**

The source group includes equipment subject to 40 CFR Part 60, Subpart OOO - Standards of Performance for Nonmetallic Mineral Processing Plants and shall comply with all applicable requirements of the Subpart to include the general provisions of Subpart A. 40 CFR 60.4 requires submission of copies of all requests, reports, and other communications to both the EPA and the Department. The EPA copies shall be forwarded to:

Director
Air Protection Division (3AP00)
U.S. EPA Region III
1650 Arch Street
Philadelphia, PA 19103-2029

The Department copies shall be forwarded to:

Regional Air Program Manager
PA Department of Environmental Protection
909 Elmerton Avenue
Harrisburg, PA 17110-8200

In the event that Subpart OOO is revised, the permittee shall comply with the revised version of Subpart OOO, and shall not be required to comply with any provisions in this permit designated as having Subpart OOO as their authority, to the extent that such permit provisions would be inconsistent with the applicable provisions of the revised Subpart OOO.

006 [40 CFR Part 60 Standards of Performance for New Stationary Sources §40 CFR 60.670]**Subpart OOO - Standards of Performance for Nonmetallic Mineral Processing Plants****Applicability and designation of affected facility.**

(a)

(1) Except as provided in paragraphs (a)(2), (b), (c), and (d) of this section, the provisions of this subpart are applicable to the following affected facilities in fixed or portable nonmetallic mineral processing plants: each crusher, grinding mill, screening operation, bucket elevator, belt conveyor, bagging operation, storage bin, enclosed truck or railcar loading station. Also, crushers and grinding mills at hot mix asphalt facilities that reduce the size of nonmetallic minerals embedded in recycled asphalt pavement and subsequent affected facilities up to, but not including, the first storage silo or bin are subject to the provisions of this subpart.

(2) The provisions of this subpart do not apply to the following operations: All facilities located in underground mines; plants without crushers or grinding mills above ground; and wet material processing operations (as defined in § 60.671).

(b) An affected facility that is subject to the provisions of subparts F or I of this part or that follows in the plant process any facility subject to the provisions of subparts F or I of this part is not subject to the provisions of this subpart.

(c) Facilities at the following plants are not subject to the provisions of this subpart:

(1) Fixed sand and gravel plants and crushed stone plants with capacities, as defined in § 60.671, of 23 megagrams per hour (25 tons per hour) or less;

(2) Portable sand and gravel plants and crushed stone plants with capacities, as defined in § 60.671, of 136 megagrams per hour (150 tons per hour) or less; and

(3) Common clay plants and pumice plants with capacities, as defined in § 60.671, of 9 megagrams per hour (10 tons per hour) or less.

SECTION E. Source Group Restrictions.

(d)

(1) When an existing facility is replaced by a piece of equipment of equal or smaller size, as defined in § 60.671, having the same function as the existing facility, and there is no increase in the amount of emissions, the new facility is exempt from the provisions of §§ 60.672, 60.674, and 60.675 except as provided for in paragraph (d)(3) of this section.

(2) An owner or operator complying with paragraph (d)(1) of this section shall submit the information required in § 60.676(a).

(3) An owner or operator replacing all existing facilities in a production line with new facilities does not qualify for the exemption described in paragraph (d)(1) of this section and must comply with the provisions of §§ 60.672, 60.674 and 60.675.

(e) An affected facility under paragraph (a) of this section that commences construction, modification, or reconstruction after August 31, 1983, is subject to the requirements of this part.

(f) Table 1 of this subpart specifies the provisions of subpart A of this part 60 that do not apply to owners and operators of affected facilities subject to this subpart or that apply with certain exceptions.

007 [40 CFR Part 60 Standards of Performance for New Stationary Sources §40 CFR 60.673]

Subpart OOO - Standards of Performance for Nonmetallic Mineral Processing Plants Reconstruction.

(a) The cost of replacement of ore-contact surfaces on processing equipment shall not be considered in calculating either the "fixed capital cost of the new components" or the "fixed capital cost that would be required to construct a comparable new facility" under § 60.15. Ore-contact surfaces are crushing surfaces; screen meshes, bars, and plates; conveyor belts; and elevator buckets.

(b) Under § 60.15, the "fixed capital cost of the new components" includes the fixed capital cost of all depreciable components (except components specified in paragraph (a) of this section) which are or will be replaced pursuant to all continuous programs of component replacement commenced within any 2-year period following August 31, 1983.

**SECTION E. Source Group Restrictions.**

Group Name: 003

Group Description: NSPS Subpart I-Standards of Performance for Hot Mix Asphalt Facilities

Sources included in this group

ID	Name
100	BLACKTOP PLANT

I. RESTRICTIONS.**Emission Restriction(s).****# 001 [40 CFR Part 60 Standards of Performance for New Stationary Sources §40 CFR 60.92]****Subpart I - Standards of Performance for Hot Mix Asphalt Facilities****Standard for particulate matter.**

(a) On and after the date on which the performance test required to be conducted by § 60.8 is completed, no owner or operator subject to the provisions of this subpart shall discharge or cause the discharge into the atmosphere from any affected facility any gases which:

- (1) Contain particulate matter in excess of 90 mg/dscm (0.04 gr/dscf).
- (2) Exhibit 20 percent opacity, or greater.

II. TESTING REQUIREMENTS.**# 002 [40 CFR Part 60 Standards of Performance for New Stationary Sources §40 CFR 60.93]****Subpart I - Standards of Performance for Hot Mix Asphalt Facilities****Test methods and procedures.**

(a) In conducting the performance tests required in § 60.8, the owner or operator shall use as reference methods and procedures the test methods in appendix A of this part or other methods and procedures as specified in this section, except as provided in § 60.8(b).

(b) The owner or operator shall determine compliance with the particulate matter standards in § 60.92 as follows:

- (1) Method 5 shall be used to determine the particulate matter concentration. The sampling time and sample volume for each run shall be at least 60 minutes and 0.90 dscm (31.8 dscf).
- (2) Method 9 and the procedures in § 60.11 shall be used to determine opacity.

III. MONITORING REQUIREMENTS.

No additional monitoring requirements exist except as provided in other sections of this permit including Section B (State Only General Requirements).

IV. RECORDKEEPING REQUIREMENTS.

No additional record keeping requirements exist except as provided in other sections of this permit including Section B (State Only General Requirements).

V. REPORTING REQUIREMENTS.

No additional reporting requirements exist except as provided in other sections of this permit including Section B (State Only General Requirements).

VI. WORK PRACTICE REQUIREMENTS.

No additional work practice requirements exist except as provided in other sections of this permit including Section B (State Only General Requirements).

SECTION E. Source Group Restrictions.**VII. ADDITIONAL REQUIREMENTS.****# 003 [40 CFR Part 60 Standards of Performance for New Stationary Sources §40 CFR 60.90]****Subpart I - Standards of Performance for Hot Mix Asphalt Facilities****Applicability and designation of affected facility.**

(a) The affected facility to which the provisions of this subpart apply is each hot mix asphalt facility. For the purpose of this subpart, a hot mix asphalt facility is comprised only of any combination of the following: dryers; systems for screening, handling, storing, and weighing hot aggregate; systems for loading, transferring, and storing mineral filler, systems for mixing hot mix asphalt; and the loading, transfer, and storage systems associated with emission control systems.

(b) Any facility under paragraph (a) of this section that commences construction or modification after June 11, 1973, is subject to the requirements of this subpart.

004 [40 CFR Part 60 Standards of Performance for New Stationary Sources §40 CFR 60.90]**Subpart I - Standards of Performance for Hot Mix Asphalt Facilities****Applicability and designation of affected facility.**

The source is subject to Subpart I of the Standards of Performance for Hot Mix Asphalt Facilities and shall comply with all applicable requirements of this Subpart. 40 CFR Section 60.4 requires submission of copies of all requests, reports, applications, submittals, and other communications to both EPA and the Department. The EPA copies shall be forwarded to:

Director
Air Protection Division
US EPA, Region III
1650 Arch Street
Philadelphia, Pa 19103-2029

The Department copies shall be forwarded to:

Regional Air Program Manager
PA Department of Environmental Protection
909 Elmerton Avenue
Harrisburg, PA 17110-8200

In the event that the Federal Subpart that is the subject of this Source Group is revised, the permittee shall comply with the revised version of the subpart, and shall not be required to comply with any provisions in this permit designated as having the subpart as their authority, to the extent that such permit provisions would be inconsistent with the applicable provisions of the revised subpart.



SECTION F. Alternative Operation Requirements.

No Alternative Operations exist for this State Only facility.



SECTION G. Emission Restriction Summary.

No emission restrictions listed in this section of the permit.

**SECTION H. Miscellaneous.**

The following sources and activities are not subject to any specific work practice standards, testing, monitoring, recordkeeping or reporting requirements:

1. Air conditioning and ventilation systems
2. Office equipment
3. Janitorial equipment
4. Plant maintenance (painting, welding, woodworking, cleaning, etc.)
5. Mobile sources (trucks, forklifts, snowblowers, etc.)
6. Fuel oil, gasoline, propane and other storage tanks
7. Emergency equipment (lights, pumps, etc. and training)
8. Materials handling and storage
9. Laboratory/analytical activities

The Source ID 102 Limestone Crushing Plant consists of the following equipment:

- Allis-Chalmers 42" x 65" gyratory crusher (mfg. 1962)
- Deister 8' x 20' triple deck screen** (mfg. 2010)
- Allis-Chalmers 84" gyratory crusher (mfg. 1966)
- Two (2) Allis-Chalmers 600 gyratory crushers* (mfg. 1990 and 1991)
- Four (4) Telsmith 8' x 24' vibrating triple deck screens* (mfg. 1999)
- Cemco 80" vertical shaft impactor* (mfg. 1997)
- Telsmith 8' x 24' vibrating double deck screen* (mfg. 1997)

*Sources subject to Subpart OOO - Standards of Performance for Nonmetallic Mineral Processing Plants for equipment subject to the pre-April 22, 2008 requirements.

**Sources subject to Subpart OOO - Standards of Performance for Nonmetallic Mineral Processing Plants for equipment subject to the post-April 22, 2008 requirements.

The Source ID 100 consists of the following equipment:

- Drum Gencor model 400, rated at 400 tph of Asphalt;
- Gencor Ultra II Burner, primary NG and No. 2 oil back up, rated at 135 mmBtu/hr;
- The baghouse C100A, rated at 74,092 scfm, has 18 compartments and 48 filters per compartment, with 4.92:1 ratio air to cloth, and it is cleaned by reverse air with a timer.
- RAP Processing operation includes:
 - MMD5072 RAP Sizer, manufactured in 2001*;
 - Telsmith 5' x 14' RAP Screen, manufactured in 1997*;
 - Telsmith 3036 RAP Impact Crusher, manufactured in 1997*.

*Sources subject to Subpart OOO - Standards of Performance for Nonmetallic Mineral Processing Plants for equipment subject to the pre-April 22, 2008 requirements.

This State Only Operating Permit incorporates equipment previously included in the following operating permits:

07-310-020

03-311-001A

GP3-10-07-03014 (Portable Plant 1) (now Source ID 204, it was removed on 7/2018)

GP3-13-07-03014 (Portable Plant 2) (since removed)

GP3-14-07-03014 (Portable Plant 3) (since removed)

GP13-07-05032 (Blacktop Plant) (now Source ID 100)



***** End of Report *****
